

GENUINE MAZDA CARGO LINER INSTALLATION INSTRUCTIONS

Thank you for purchasing a genuine Mazda accessory.
Before removal and installation, be sure to thoroughly read these instructions.
Please read the contents of this booklet in order to properly install and use the
Cargo Liner.
Keep these instructions with your vehicle records for future reference.

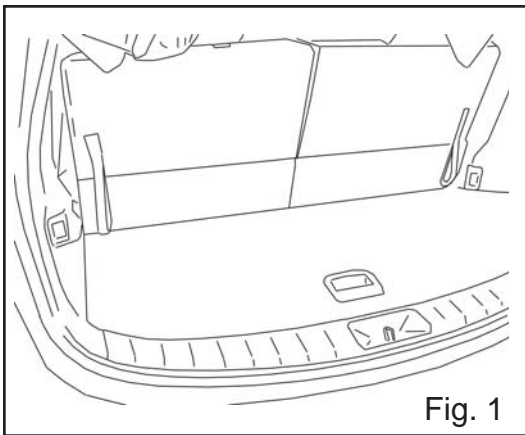


Fig. 1

- 1 Open lift gate. (Fig. 1)

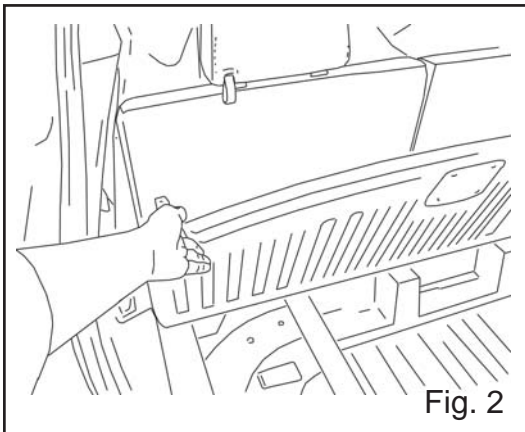


Fig. 2

- 2 Lift rear storage compartment cover. (Fig. 2)

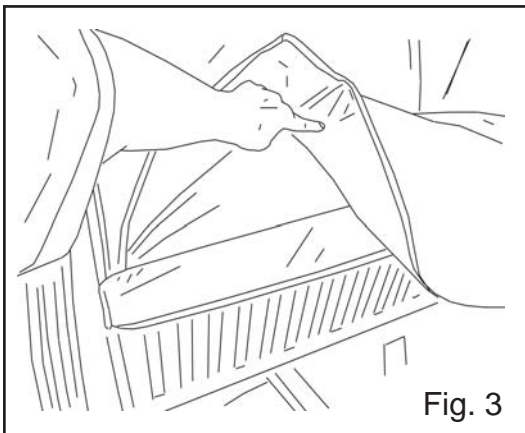


Fig. 3

- 3 Install rear pocket of liner on to compartment cover. (Fig. 3)

GENUINE MAZDA CARGO LINER INSTALLATION INSTRUCTIONS

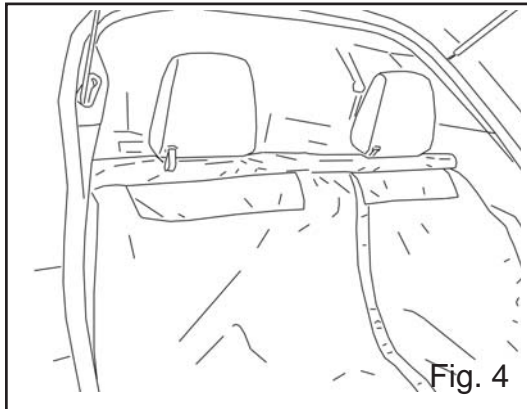


Fig. 4

- 4 Extend cover and install over 3rd row seat. (Fig. 4)

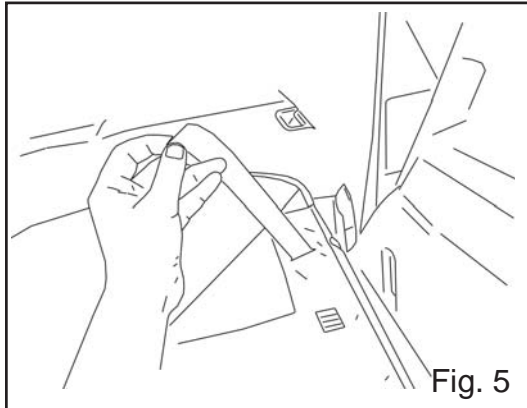


Fig. 5

- 5 Pull the seat tilt straps through the slots on the cover. (Fig. 5)

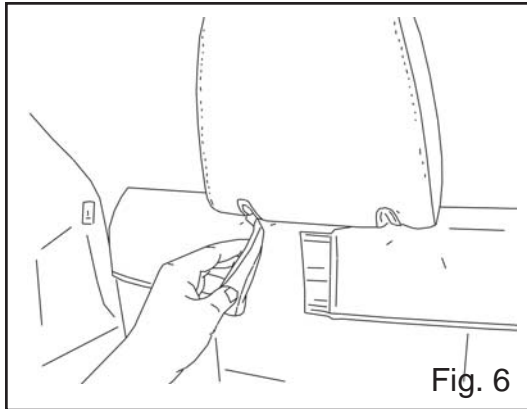


Fig. 6

- 6 Secure the cover to the third row seats by attaching the hook and loop fasteners below the headrests. (Fig. 6 and 7)

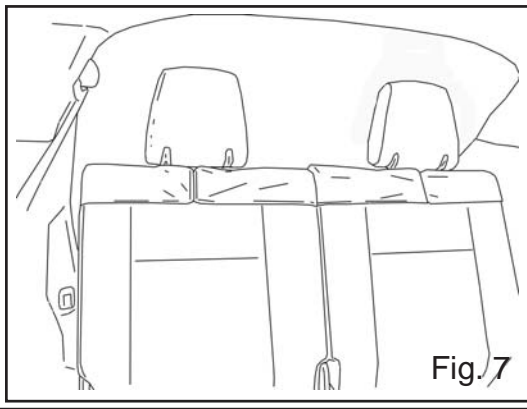


Fig. 7

GENUINE MAZDA CARGO LINER INSTALLATION INSTRUCTIONS

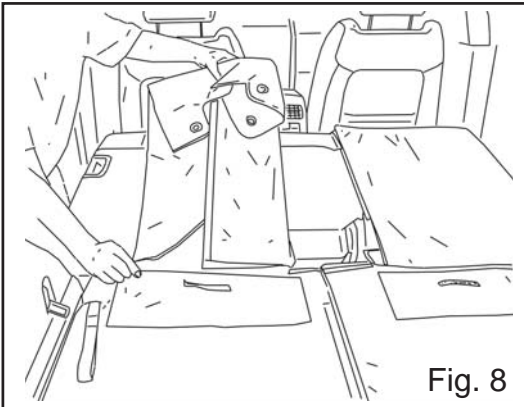


Fig. 8

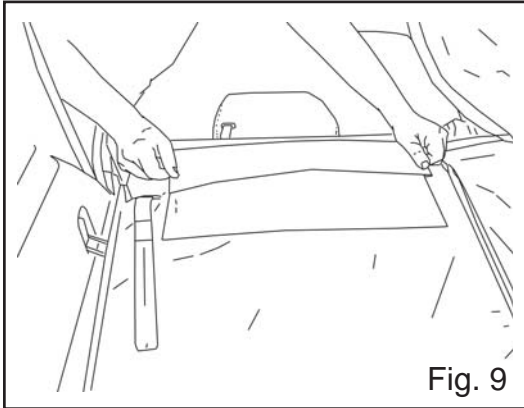


Fig. 9

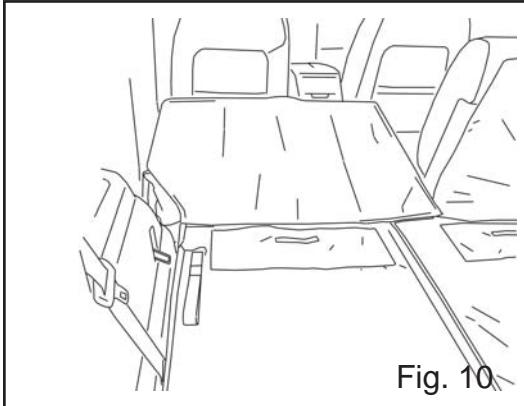


Fig. 10

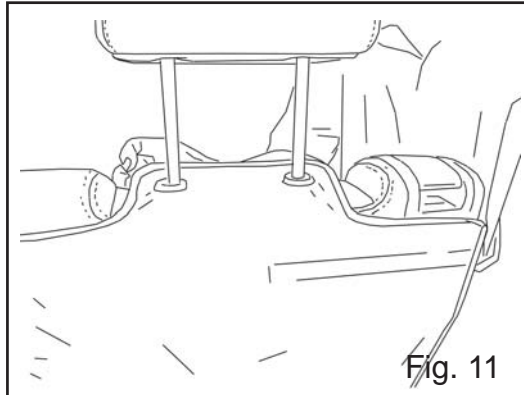


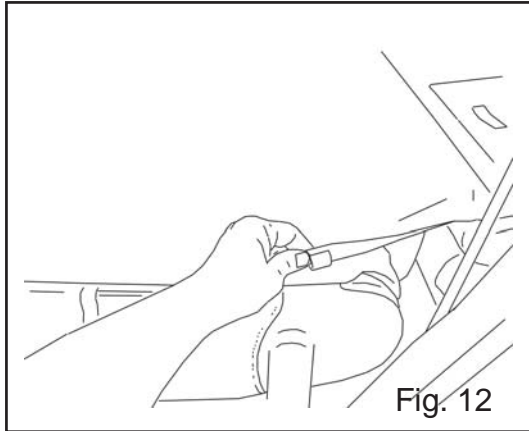
Fig. 11

- 7 If 3rd row seats are to be used, fold 2nd row covers and place in the attached pockets. (Fig. 8 and Fig. 9)

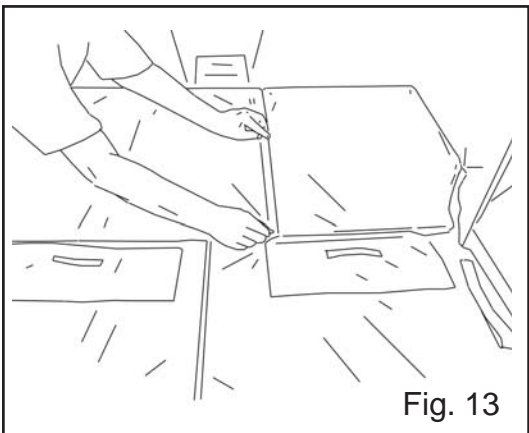
- 8 If 3rd row seats are to be folded down, extend cover and align with 2nd row seats. (Fig. 10)

- 9 Remove the 2nd row headrests. Re-install each headrest by inserting the rods through the corresponding grommets on the cover. (Fig. 11)

GENUINE MAZDA CARGO LINER INSTALLATION INSTRUCTIONS



- 10 Attach the plastic clips on the cover to the outer edges of the 2nd row seat backs. (Fig. 12)



- 11 Align and adjust cover to remove any wrinkles. Attach hook and loop fastener between the 2nd row seats. (Fig. 13)

- 12 Installation complete.

CLEANING INSTRUCTIONS:

Clean only with a damp cloth or sponge. Avoid use of detergents or harsh cleaning agents.

GENUINE MAZDA CARGO LINER INSTALLATION INSTRUCTIONS

INSTALLATION INSPECTION SHEET

CARGO LINER

0000 8K N05 (CX-9)

Inspection after installation

- Inspect the installed/reinstalled parts for the following items.

Inspection Parts	Check Item (O)			
	Clearance/Fit	Scratches/Dirt	Installation/ Engagement	Operation check
Cargo Liner	O	O	O	
Rear Pocket	O		O	
Hook and Loop	O		O	
Plastic Edge Clips	O		O	
Headrest Grommets	O	O	O	
Headrests	O	O	O	O
Rear Storage Cover	O	O	O	O

Important check items

- Inspect the installed/reinstalled parts for the following items.

Page No.	Part name	Tightening torque	Check & write the tightening torque	Person in charge
Step 3 (Pg. 1)	Rear storage cover	N/A		
Step 9 (Pg. 3)	Headrests	N/A		

Installation inspection sheet for cargo liner.

Date:		
VIN:		
Approved	Checked	Person in charge

The term of validity for this sheet: 12 months